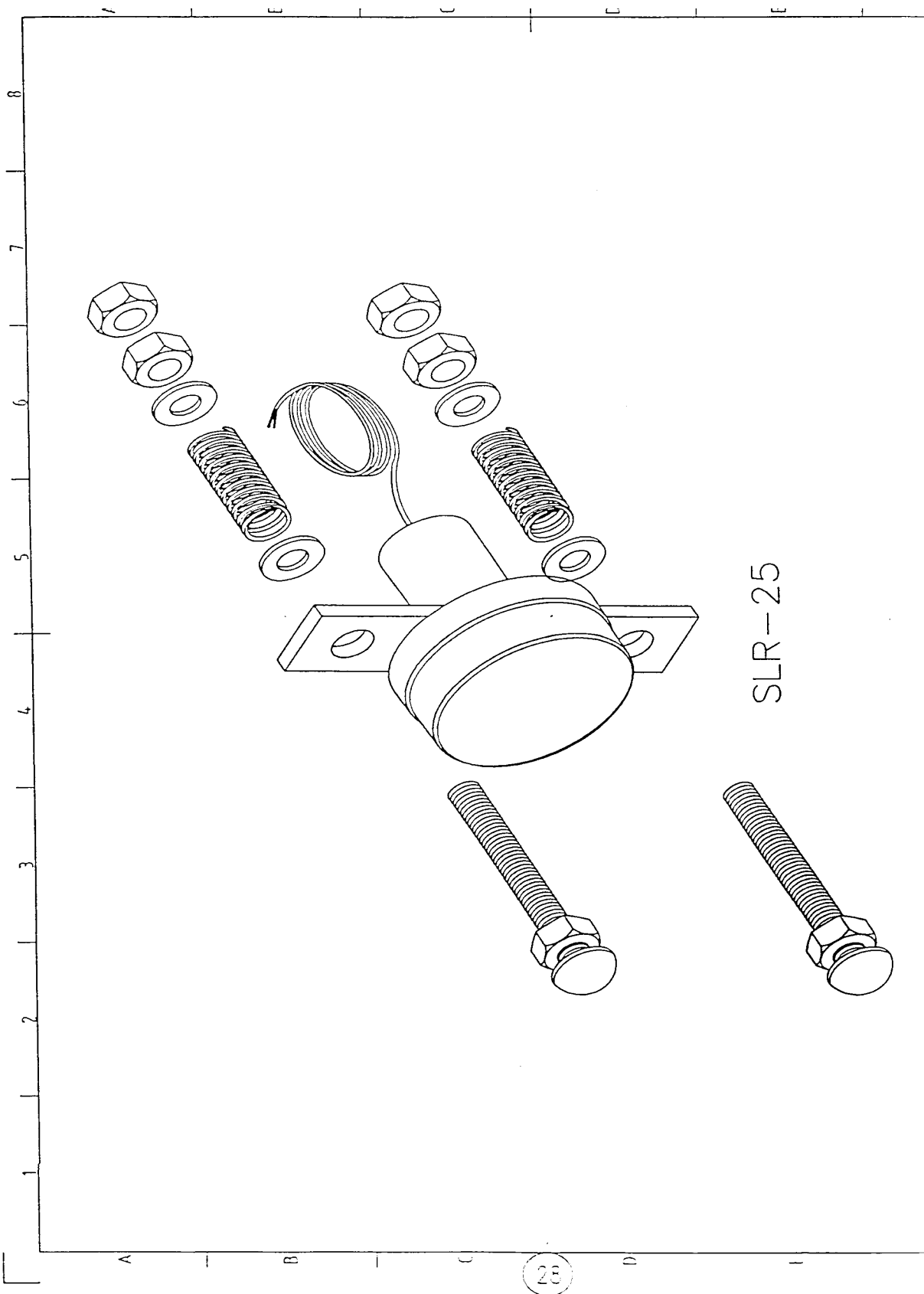
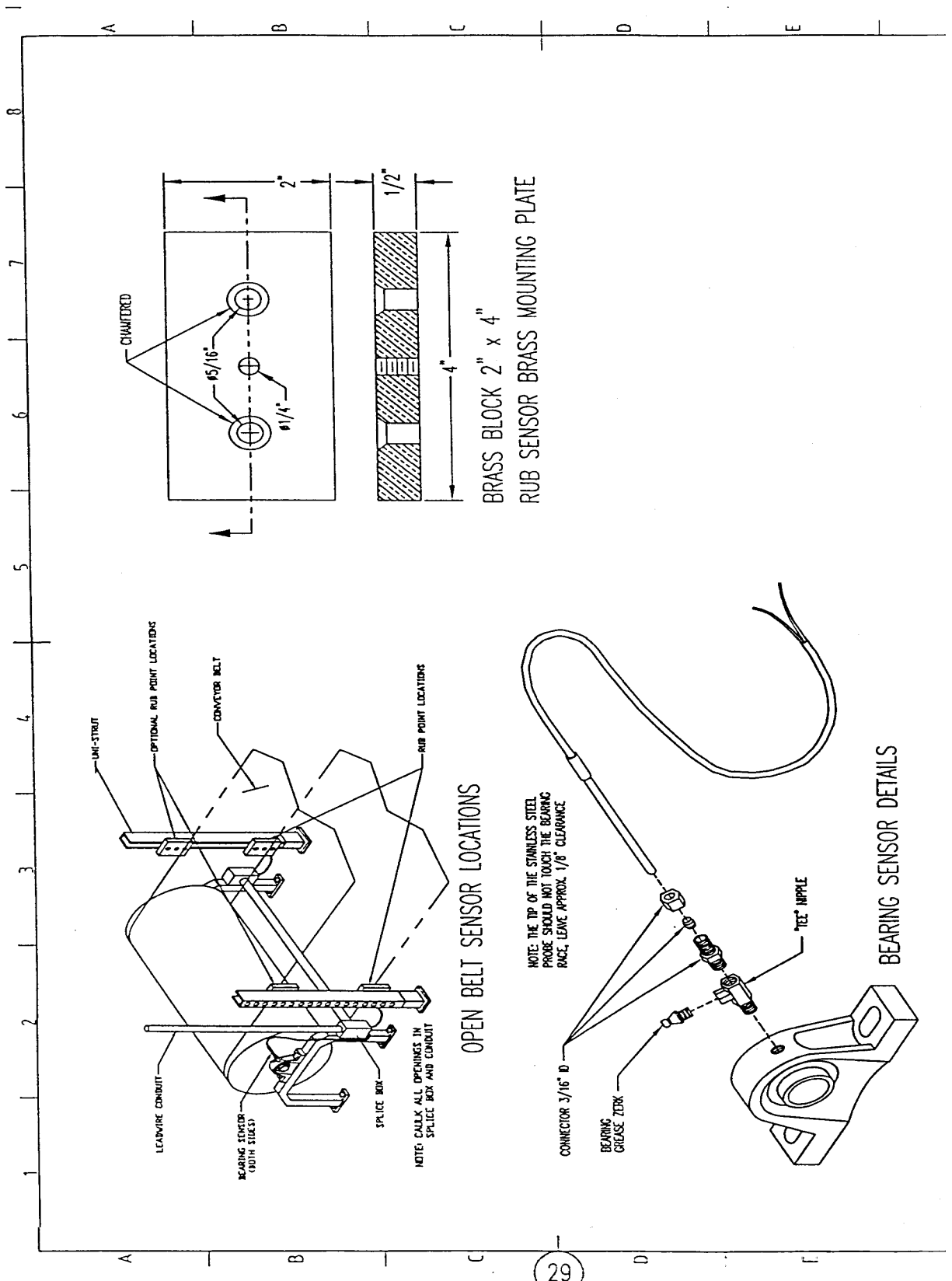


ScanCenter LX

User's and Installation Guide



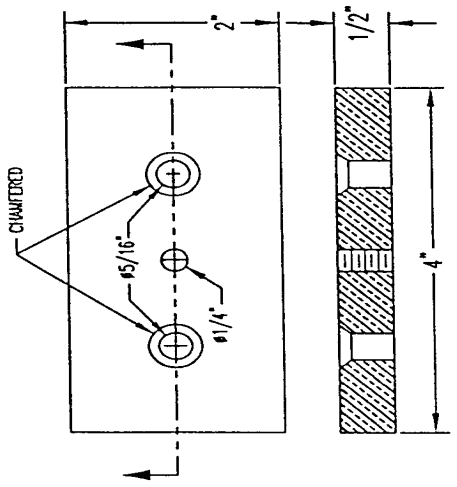




OPEN BELT SENSOR LOCATIONS

BEARING SENSOR DETAILS

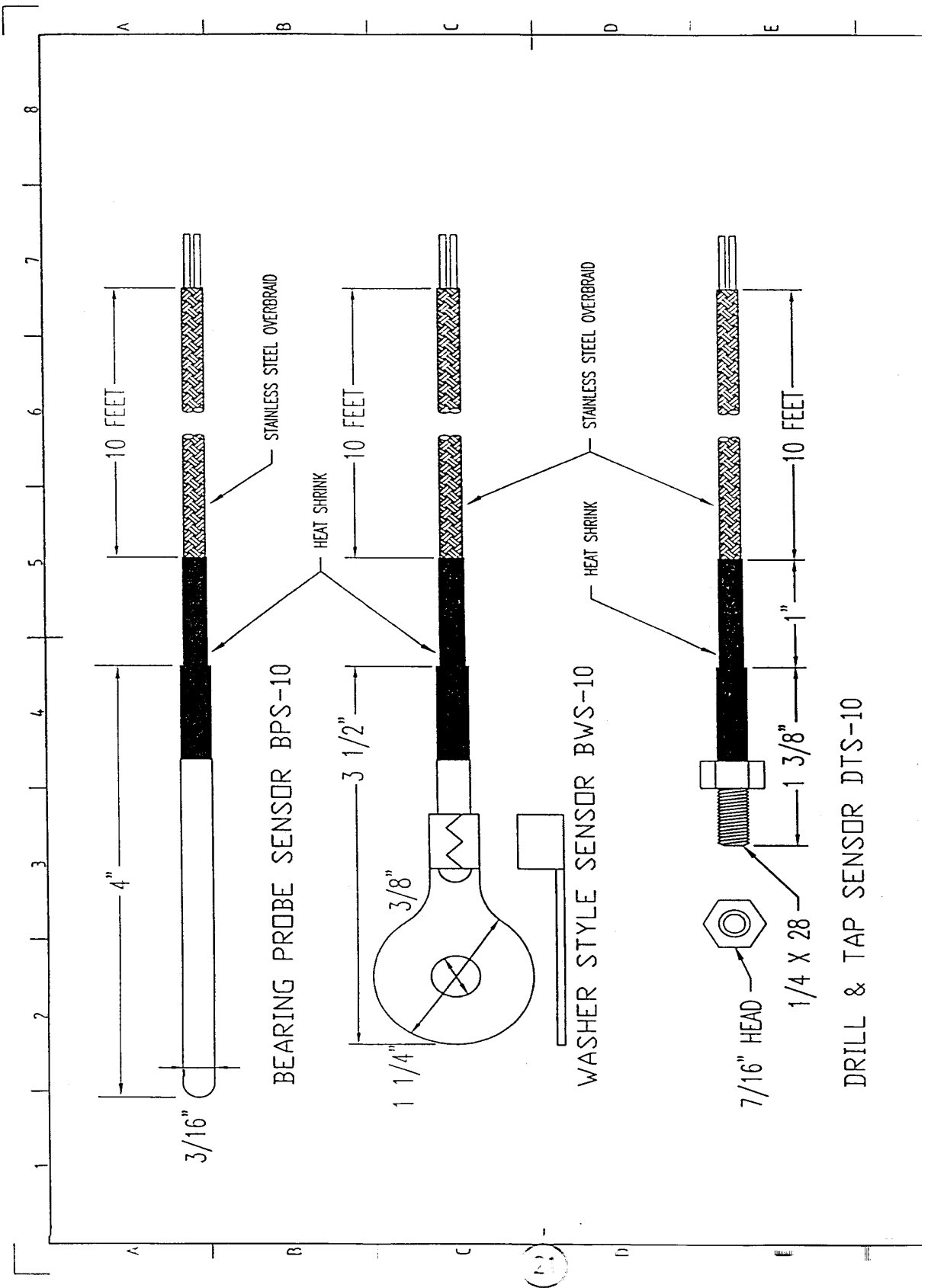
NOTE: THE TIP OF THE STAINLESS STEEL PROBE SHOULD NOT TOUCH THE BEARING RACE, LEAVE APPROX. 1/8" CLEARANCE



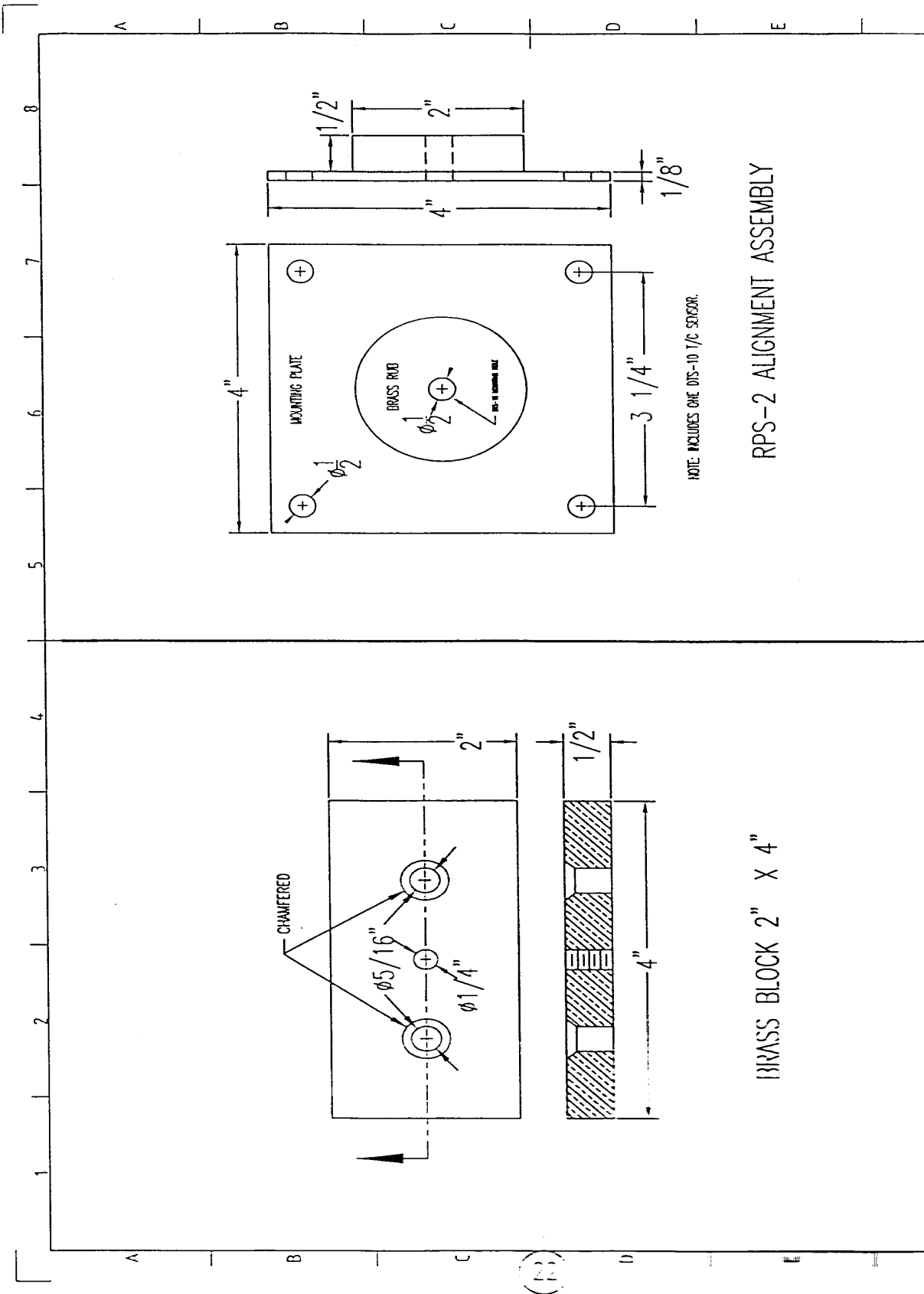
BRASS BLOCK 2" x 4"
RUB SENSOR BRASS MOUNTING PLATE

A B C D E

1 2 3 4 5 6 7 8



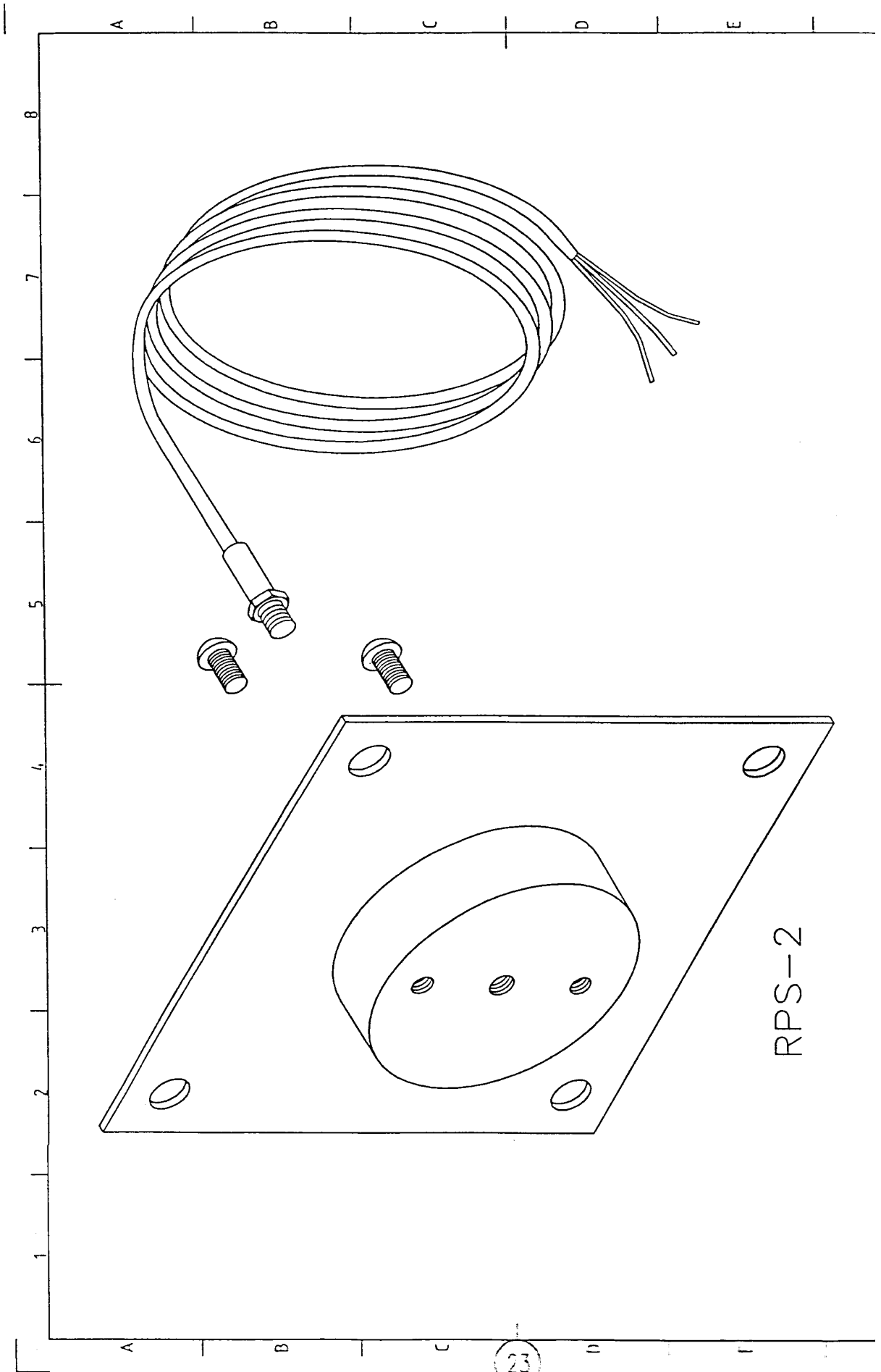
(2)



BRASS BLOCK 2" X 4"

NOTE: INCLUDES ONE DIS-10 T/C SENSOR.

RPS-2 ALIGNMENT ASSEMBLY



SPLICING IN EXPANSION BOARD TO THE LX

Use the following chart to connect the 18 T/C leadwire from the Scancenter to the Expansion Board (Binary Ladder).

Scancenter LX	Duty	Remote Binary Ladder
White Constantan	Constantan	Red Duplex
Black - (18 T/C Leadwire)	Binary Code	Black - (6 T/C Leadwire)
Blue	Binary Code	Blue
Green	Binary Code	Green
Red	Binary Code	Red
Yellow	Binary Code	Yellow
Clear (Not Used)		Clear (Not Used)
Brown Constantan	Constantan	Red Duplex
Black - (18 T/C Leadwire)	+24 VDC	Board #1- White (24 AWG)
Blue	Copper	Board #1- Blue Duplex
Green	+24 VDC	Board #2- White (24 AWG)
Red	Copper	Board #2- Blue Duplex
Yellow	+24 VDC	Board #3- White (24 AWG)
Clear	Copper	Board #3- Blue Duplex
Orange Constantan	Constantan	Red Duplex
Black - (18 T/C Leadwire)	+24 VDC	Board #4- White (24 AWG)
Blue	Copper	Board #4- Blue Duplex
Green	+24 VDC	Board #5- White (24 AWG)
Red	Copper	Board #5- Blue Duplex
Black wire (24 AWG) is Ground.		
NOTE - DO NOT USE THE YELLOW or the CLEAR of the ORANGE GROUP on any pigtail.		

After everything is connected turn on the Scancenter LX and observe the temperatures, looking for opens indicated by ---. Note the temperatures. Make sure your temperatures are believable. Temperatures in the boot area of a leg will generally be very consistent if the leg hasn't been running for a while. Likewise, head temperatures will be warmer if the heads are exposed to the sun.